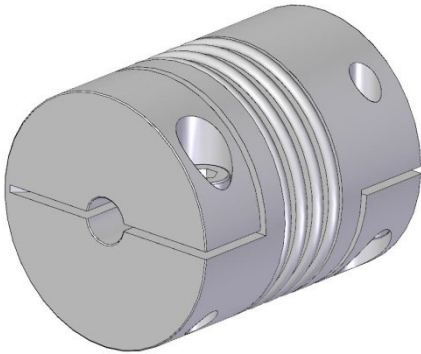
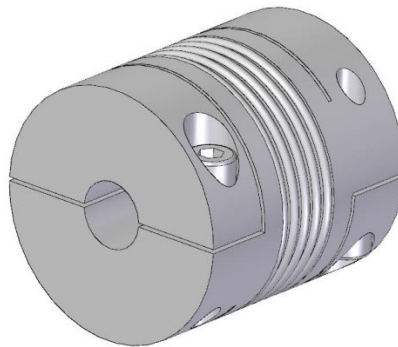


## Torsionally Stiff Coupling for Stiff Torque Sensor Assembly

9690, 9690-P<sup>1</sup>, 9690-PP<sup>2</sup>



Coupling size 60 - 500



Coupling size 1400



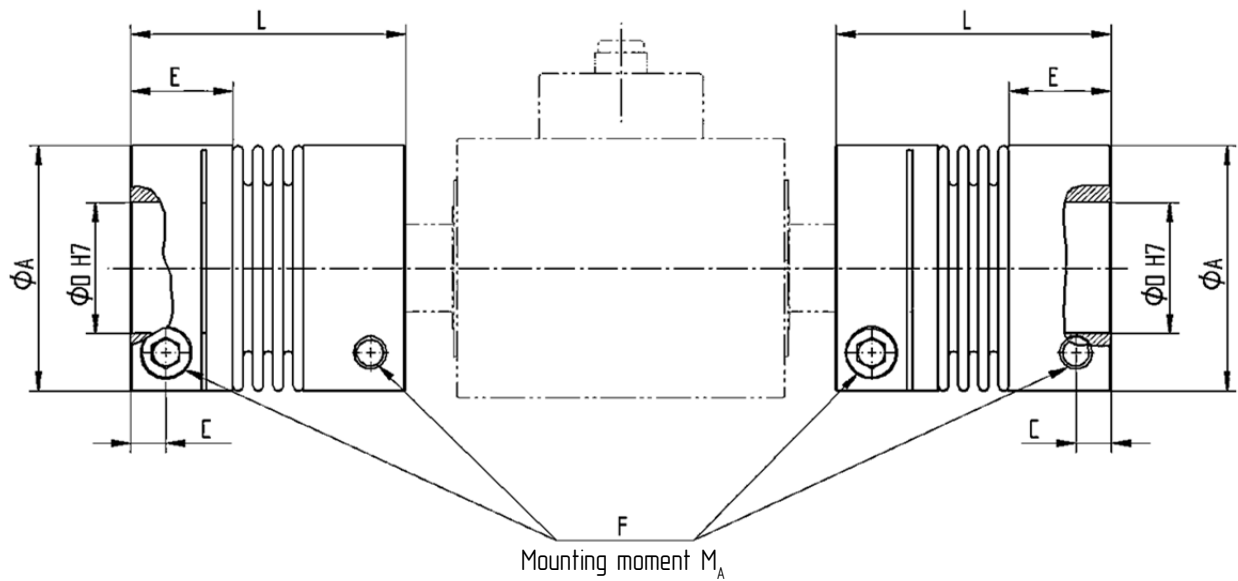
Coupling size 3000 - 5000

| Rated Torque [N·m] |          | Coupling Size | Article-No. 9690 | Weight [kg] | Article-No. 9690-P | Weight [kg] | Article-No. 9690-PP | Weight [kg] |
|--------------------|----------|---------------|------------------|-------------|--------------------|-------------|---------------------|-------------|
| Sensor             | Coupling |               |                  |             |                    |             |                     |             |
| 50                 | 75       | 60            | 1274             | 0.5         | 1272               | 0.5         | 1273                | 0.5         |
| 100                | 150      | 150           | 1278             | 0.9         | 1275               | 0.9         | 1279                | 0.9         |
| 200                | 300      | 200           | 1280             | 1.2         | 1281               | 1.2         | 1282                | 1.2         |
| 500                | 750      | 500           | 1294             | 2.4         | 1295               | 2.4         | 1298                | 2.4         |
| 1000               | 1500     | 1400          | 1296             | 10.0        | 1297               | 10.0        | 1309                | 10.0        |
| 2000               | 3000     | 3000          | 1308             | 9.5         | 1311               | 9.5         | 1312                | 9.5         |
| 5000               | 7500     | 5000          | 1310             | 19.9        | 1317               | 19.9        | 1315                | 19.9        |

<sup>1</sup> Add on „-P“ for one coupling side with feather key groove according DIN 6885

<sup>2</sup> Add on „-PP“ for feather key grooves according DIN 6885 on both sides of the coupling

## Mechanical Dimensions



| Rated Torque [N·m] |          | Coupling Size | Limit Speed [min <sup>-1</sup> ] <sup>3</sup> | Dimensions [mm] |     |                  |      |      |         | $M_A$ [N·m] |
|--------------------|----------|---------------|---|-----------------|-----|------------------|------|------|---------|-------------|
| Sensor             | Coupling |               |   | L               | Ø A | Ø D <sup>4</sup> | C    | E    | F       |             |
| 50                 | 75       | 60            | 20000   | 79              | 66  | 12 ... 35        | 10.0 | 29.0 | M8      | 40          |
| 100                | 150      | 150           | 20000   | 91              | 82  | 14 ... 44        | 11.0 | 33.5 | M10     | 84          |
| 200                | 300      | 200           | 15000   | 101             | 90  | 16 ... 47        | 13.0 | 38.0 | M12     | 125         |
| 500                | 750      | 500           | 15000   | 112             | 122 | 25 ... 70        | 15.0 | 42.0 | M12     | 145         |
| 1000               | 1500     | 1400          | 15000   | 168             | 157 | 42 ... 80        | 22.5 | 55.0 | 2 x M20 | 470         |
| 2000               | 3000     | 3000          | 12000   | 206             | 157 | 55 ... 85        | -    | 60.0 | 6 x M12 | 85          |
| 5000               | 7500     | 5000          | 12000   | 206             | 208 | 60 ... 90        | -    | 65.0 | 6 x M16 | 210         |

<sup>3</sup> Limit speed coupling

<sup>4</sup> Please specify requested Ø D at order

## Order Examples

9690 □<sup>5;6</sup> G□<sup>7</sup> -□<sup>8</sup> - □<sup>9</sup>

### Example 1

Torsionally stiff coupling, coupling size 60, bore hub 1 (Ø torque sensor shaft) Ø 18 mm, bore hub 2 (Ø customer shaft) Ø 25 mm:

9690 G60-18-25

### Example 2

Torsionally stiff coupling, coupling size 500, bore hub 1 (Ø torque sensor shaft) Ø 32 mm with feather key groove, bore hub 2 (Ø customer shaft) Ø 62 mm:

9690-P G500-32P-62

### Example 3

Torsionally stiff coupling, coupling size 3000, bore hub 1 (Ø torque sensor shaft) Ø 70 mm, bore hub 2 (Ø customer shaft) Ø 78 mm with feather key groove:

9690-P G3000-70-78P

### Example 4

Torsionally stiff coupling, coupling size 60, bore hub 1 (Ø torque sensor shaft) Ø 18 mm with feather key groove, bore hub 2 (Ø customer shaft) Ø 22 mm with feather key groove:

9690-PP G60-18P-22P

<sup>5</sup> Add on „-P“ for one coupling side with feather key groove according DIN 6885

<sup>6</sup> Add on „-PP“ for feather key grooves according DIN 6885 on both sides of the coupling

<sup>7</sup> Coupling size

<sup>8</sup> Bore hub 1 (Ø torque sensor shaft) + “P” (only with feather key groove)

<sup>9</sup> Bore hub 2 (Ø customer shaft) + “P” (only with feather key groove)